

Technical Characteristics

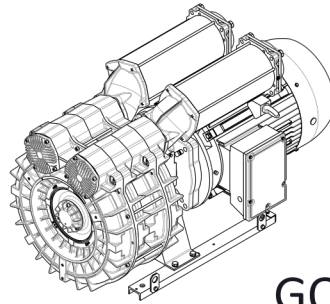
- Aluminum alloy construction
- Smooth operation
- Flexible Coupling ATEX II 2GD

Electric Motor

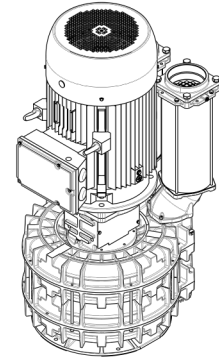
- IEC Standard
- 2 pole

Options

- Special voltages (IEC 60038)
- Surface treatments
- Increased seal version
- VFD compatible motor
- PTO/PTC thermal protector



GOR

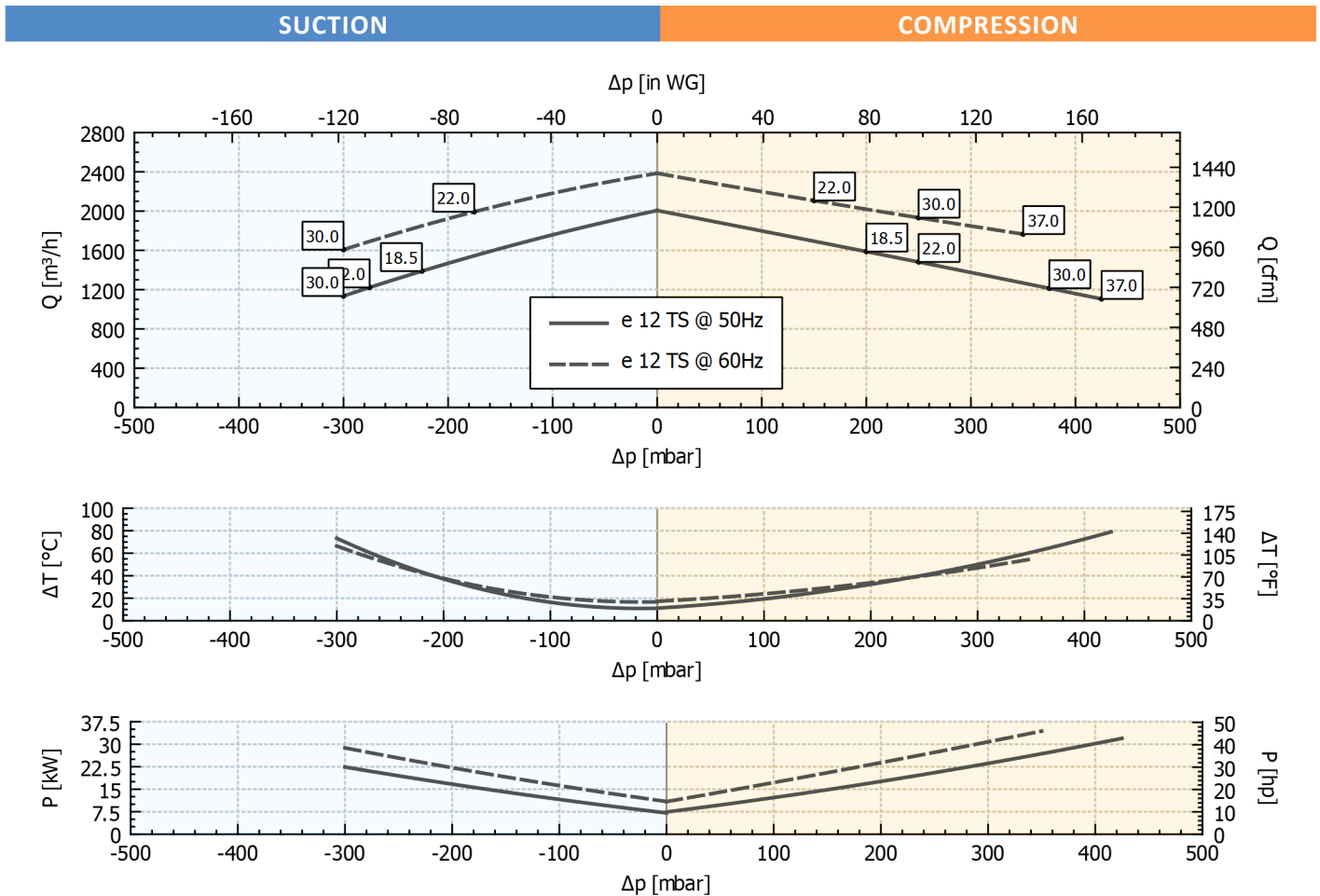


GVR

Performance Table

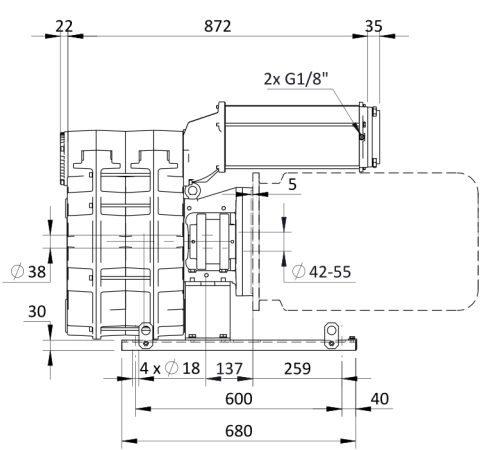
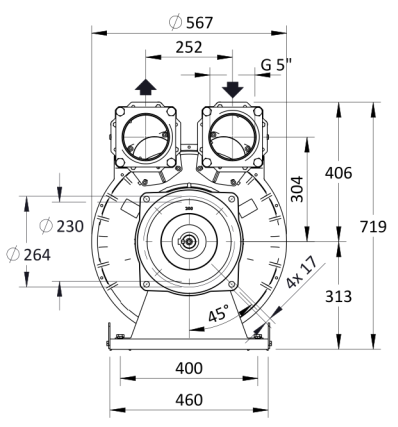
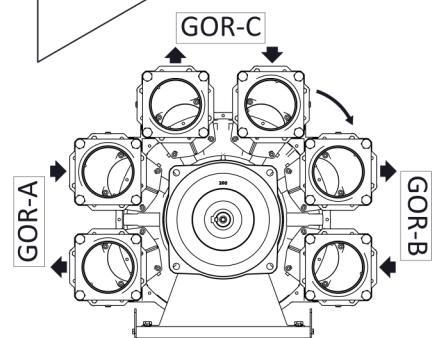
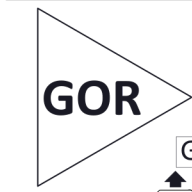
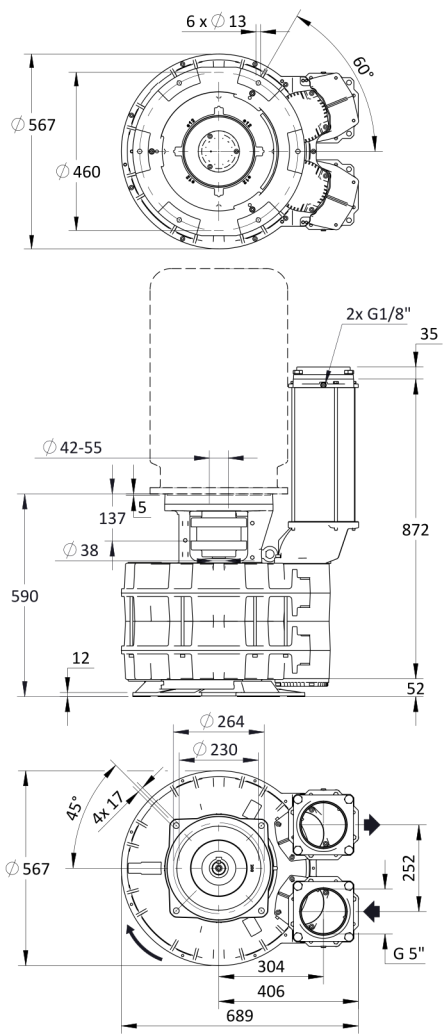
P _n [kW]	Frequency [Hz]	Δp _{max} [mbar]		Q _{max} [m ³ /h]	Leq ¹ [dB(A)]	Weight ² [kg] GOR / GVR
		Suction	Compression			
18.5	50	225	200	2006	90	143 / 130
22	50	275	250	2006	90	143 / 130
22	60	175	150	2385	94	143 / 130
30	50	300	375	2006	90	144 / 131
30	60	300	250	2385	94	144 / 131
37	50	-	425	2006	90	144 / 131
37	60	-	350	2385	94	144 / 131

1. Noise level measured at a distance of 1 m with ducted intake and delivery, in accordance with Standard ISO 3744.
2. Excluding motor.



Tolerance on indicated values ± 10%.
Data subject to change without notice.
Curves referring to air at a temperature of 20 °C and atmospheric pressure of 1013 mbar (abs).

Dimensions



Dimensions in mm
NOT Binding

INSTALLATION

- For proper operation of the machine, it must be provided with a suction FILTER and a vacuum/pressure limiting VALVE.
- Permissible ambient and fluid temperature in suction from -15 °C to +40 °C.
- Read the instruction manual carefully before installing the machine.